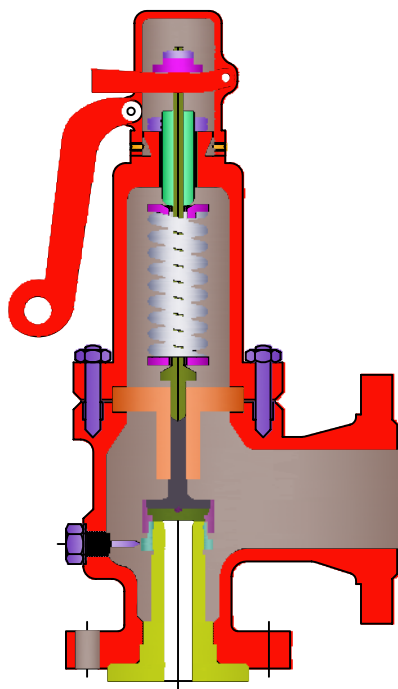


# SAFTY RELIEF VALVE

## OPEN BONNET



- ◆ *Spring Loaded Safty Rilief Valve*
- ◆ *Full Lift Pop Type Design*
- ◆ *Open Bonnet With Cap & Liver*
- ◆ *Close Bonnet With Liver*
- ◆ *Close Bonnet With Packed Liver*
- ◆ *Metal Seat*
- ◆ *Soft Seat With PTFE & Viton*
- ◆ *Stallited Nozzle & Disc*
- ◆ *Bellows Seal Safty Relief valve*

## TECHNICAL SPACIFICATION

<b>INLET SIZE</b>	<b>:-</b> <i>1" x 2" Through 8" x 10" ANSI Flanged</i>
<b>SCREW TYPE SIZE</b>	<b>:-</b> <i><math>\frac{1}{2}</math>" To 4"</i>
<b>INLET RATING</b>	<b>:-</b> <i>ANSI Class 150# To 2500#</i>
<b>ORIFICE SIZE</b>	<b>:-</b> <i>Sixteen Sizes-D Through T</i>
<b>TEMPERATURE RANGE</b>	<b>:-</b> <i>-450° F To 1500° F</i>
<b>PRESSURE</b>	<b>:-</b> <i>5 to 6500 PSIG</i>

### **APPLICATION**

*Air / Gas / Vapor / Liquid / Steam*

### **STANDARD**

*As per API / ASME & IBR*

### *Nutech Valves*

*37, Shreeji Industrial Estate, Raypur Mill Compound, Saraspur, Ahmedabad - 24*

*Ph..( O ) :- 079 - 29292112, 32923375 Fax :- 079 - 22133122*

*E-Mail :- sales@nutechvalves.com Website :- www.nutechvalves.com*

**AN ISO 9001:2000 Certified Co.**