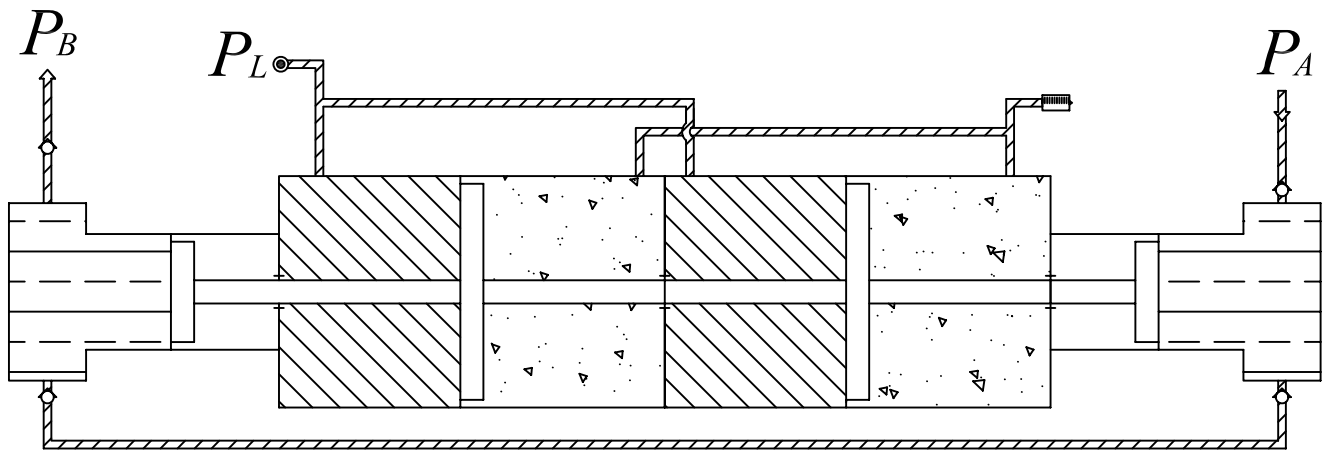


# **GAS BOOSTER NHG.30-5-30-2**



## **TECHNICAL FEATURES**

*Min. Gas Inlet Pressure  $p_A$  in bar (psi)*

*Max. Gas Inlet Pressure  $p_A$  in bar (psi)*

*Max. permitted outlet pressure  $p_B$  in bar (psi)*

*Formula to calculate gas outlet pressure  $p_B$*

*Pressure Ratio*

*Max. Compression Ratio*

*Stage Ratio*

*Displacement volume in  $cm_3(in_3)$*

*Air drive  $p_A$  in bar (psi)*

*Air consumption in  $l/min$  (SCFM)*

*Connection: Drive air*

*Connection: Gas inlet*

*Connection: Gas outlet*

*Net weight ( kg )*

*Material of gas section*

## **NHG - 30-5-30-2**

2 (29)

4 x  $p_L$

600 (8,700)

60 x  $p_L$  + 6 x  $p_A$

1:10 / 1:60

1:90

1:6

373 (22.76)

1 - 10 (14.5 - 145)

600 - 2,400 (21.2 - 84.8)

3/4 BSP

1/2 BSP

1/4 BSP

24

Stainless steel / Aluminium

## **Nutech Valves**

**37, Shreeji Industrial Estate, Raypur Mill Compound, Saraspur, Ahmedabad - 24**

**Ph..( O ) :- 079 - 29292112, 32923375 Fax :- 079 - 22133122**

**E-Mail :- sales@nutechvalves.com Website :- www.nutechvalves.com**

**AN ISO 9001:2000 Certified Co.**