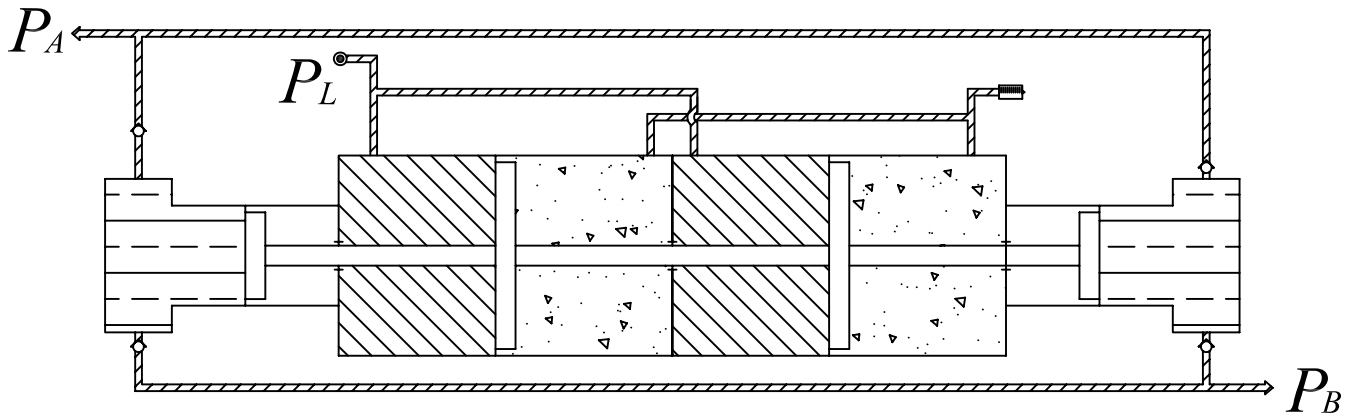


GAS BOOSTER NHG.30-75-2



TECHNICAL FEATURES

<i>Min. Gas Inlet Pressure p_A in bar (psi)</i>	45 (652)
<i>Max. Gas Inlet Pressure p_A in bar (psi)</i>	1,500 (21,750)
<i>Max. permitted outlet pressure p_B in bar (psi)</i>	1,500 (21,750)
<i>Formula to calculate gas outlet pressure p_B</i>	$150 \times p_L + p_A$
<i>Pressure Ratio</i>	1:150
<i>Max. Compression Ratio</i>	1:20
<i>Stage Ratio</i>	-----
<i>Displacement volume in $cm^3(in^3)$</i>	50 (3.05)
<i>Air drive p_A in bar (psi)</i>	1 - 10 (14.5 - 145)
<i>Air consumption in I_N/min (SCFM)</i>	600 - 2,400 (21.2 - 84.8)
<i>Connection: Drive air</i>	3/4 BSP
<i>Connection: Gas inlet</i>	1/4 BSP
<i>Connection: Gas outlet</i>	1/4 BSP
<i>Net weight (kg)</i>	23
<i>Material of gas section</i>	Stainless steel

NHG - 30-75-2

Nutech Valves
37, Shreeji Industrial Estate, Raypur Mill Compound, Saraspur, Ahmedabad - 24
Ph..(O) :- 079 - 29292112, 32923375 Fax :- 079 - 22133122
E-Mail :- sales@nutechvalves.com Website :- www.nutechvalves.com
AN ISO 9001:2000 Certified Co.