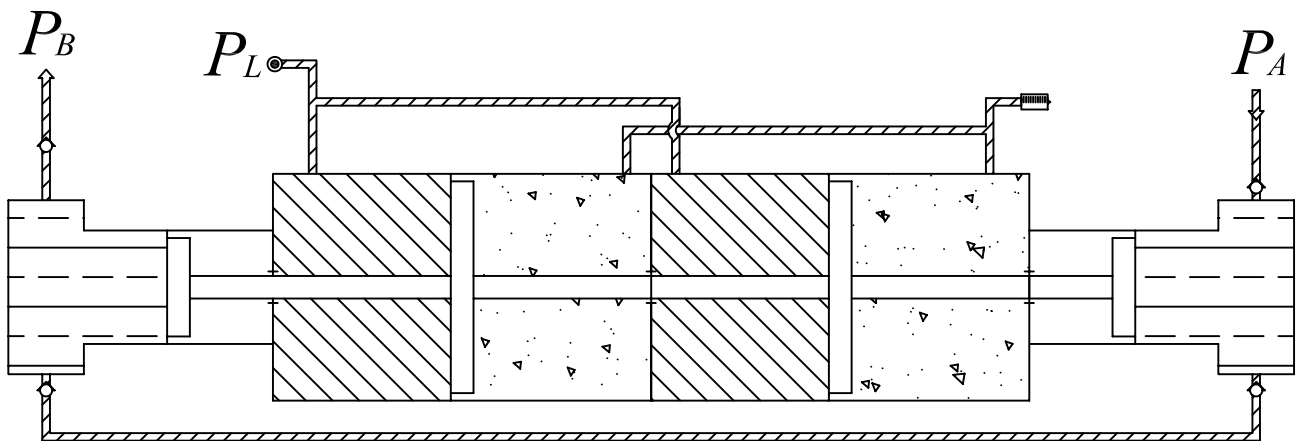


GAS BOOSTER NHG.30-30-75-2



TECHNICAL FEATURES

Min. Gas Inlet Pressure p_A in bar (psi)

Max. Gas Inlet Pressure p_A in bar (psi)

Max. permitted outlet pressure p_B in bar (psi)

Formula to calculate gas outlet pressure p_B

Pressure Ratio

Max. Compression Ratio

Stage Ratio

Displacement volume in $cm_3(in_3)$

Air drive p_A in bar (psi)

Air consumption in l_N/min (SCFM)

Connection: Drive air

Connection: Gas inlet

Connection: Gas outlet

Net weight (kg)

Material of gas section

NHG - 30-30-75-2

15 (217)

40 x p_L

1,500 (21,750)

$150 \times p_L + 2.5 \times p_A$

1:60 / 1:150

1:50

1:2.5

60 (3.66)

1 - 10 (14.5 - 145)

600 - 2,400 (21.2 - 84.8)

3/4 BSP

1/4 BSP

1/4 BSP

24

Stainless steel

Nutech Valves

37, Shreeji Industrial Estate, Raypur Mill Compound, Saraspur, Ahmedabad - 24

Ph..(O) :- 079 - 29292112, 32923375 Fax :- 079 - 22133122

E-Mail :- sales@nutechvalves.com Website :- www.nutechvalves.com

AN ISO 9001:2000 Certified Co.