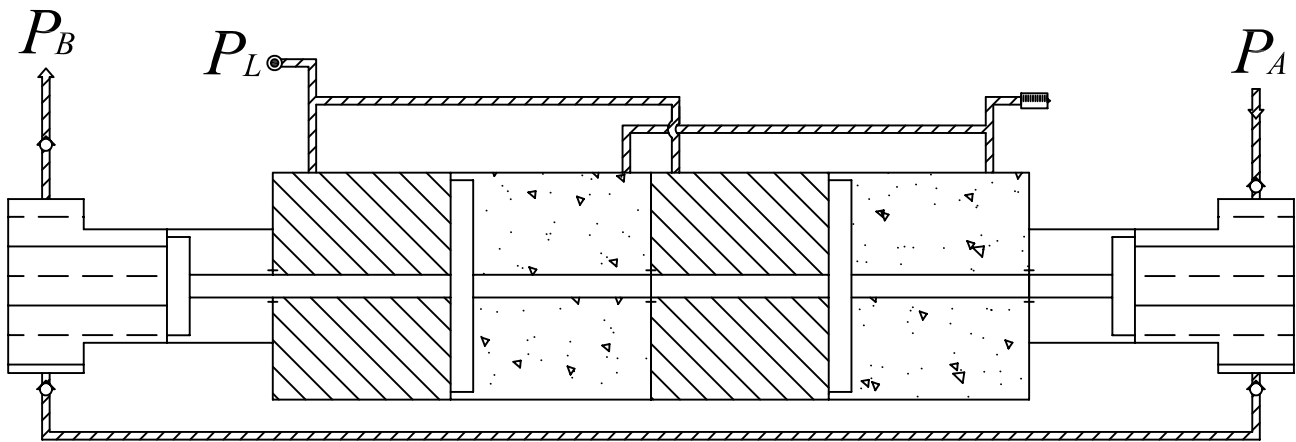


# **GAS BOOSTER NHG.30-15-75-2**



## **TECHNICAL FEATURES**

Min. Gas Inlet Pressure  $p_A$  in bar (psi)

Max. Gas Inlet Pressure  $p_A$  in bar (psi)

Max. permitted outlet pressure  $p_B$  in bar (psi)

Formula to calculate gas outlet pressure  $p_B$

Pressure Ratio

Max. Compression Ratio

Stage Ratio

Displacement volume in  $cm^3$  ( $in^3$ )

Air drive  $p_A$  in bar (psi)

Air consumption in  $l/min$  (SCFM)

Connection: Drive air

Connection: Gas inlet

Connection: Gas outlet

Net weight (kg)

Material of gas section

## **NHG - 30-15-75-2**

7 (101)

7 x pl

1,500 (21,750)

$150 \times p_L + 5 \times p_A$

1:30 / 1:150

1:100

1:5

122 (7.44)

1 - 10 (14.5 - 145)

600 - 2,400 (21.2 - 84.8)

3/4 BSP

3/8 SAE Or 1/4 Superpressure

1/4 BSP

24

Stainless steel / 410

## **Nutech Valves**

37, Shreeji Industrial Estate, Raypur Mill Compound, Saraspur, Ahmedabad - 24

Ph..( O ) :- 079 - 29292112, 32923375 Fax :- 079 - 22133122

E-Mail :- sales@nutechvalves.com Website :- www.nutechvalves.com

**AN ISO 9001:2000 Certified Co.**