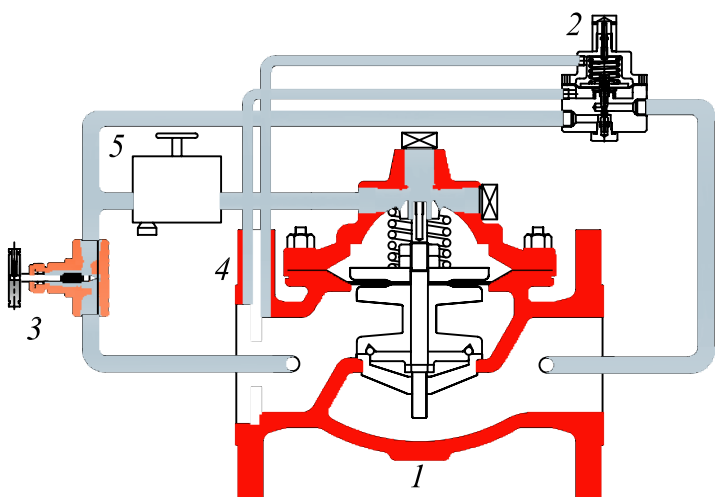


# PRESSURE REDUCING/RATE OF FLOW

## SERIES NO :- 401



### SPECIFY:

Desired flow rate at time of order.  
 ACV 401: flow over the seat (fail closed)  
 ACV 401/01: flow under the seat (fail open)

### QUICK SIZE:

Stay within parameters of capacity chart (below)

### VALVE FUNCTION

- Limits flow rate to a constant preset maximum (adjustable)

Maintains a constant flow rate, adjustable, regardless of fluctuations in line pressure. The rate of flow pilot senses the differential pressure across a thin edged orifice plate mounted in the valve inlet flange. It responds to changes in pressure and modulates the main valve to maintain the desired flow.

### ACCESSORIES

LOCATED AS INDICATED

- Adj. Opening Speed

INCLUDED AS MARKED

- Isolation Cocks

- Y Strainer

- Flo-Clean Strainer

- Position Indicator

- Limit Switch

### ADDITIONAL COMBINATION FUNCTIONS

401 Rate of Flow / Solenoid On-Off

401-01 Rate of Flow / Pressure Reducing

401-02 Rate of Flow / Pressure Sustaining

### POINTS TO CONSIDER:

- Orifice plate sized per application and per your acceptable pressure drop - consult factory

### COMPONENTS

1. Main Valve
2. Flow Control Pilot
3. Needle Valve - Adj. Closing Speed
4. Orifice Plate
5. Adj. Opening Speed

| VALVE SIZE            | 2" | 2 1/2" | 3"  | 4"  | 6"   | 8"   | 10"  | 12"  | 14"  | 16"   |
|-----------------------|----|--------|-----|-----|------|------|------|------|------|-------|
| Maximum Flow Rate GPM | 15 | 35     | 35  | 50  | 115  | 200  | 300  | 400  | 500  | 350   |
| Maximum Flow Rate GPM | 20 | 160    | 160 | 800 | 1800 | 1000 | 4900 | 7000 | 3500 | 11000 |

Perfect Solution For Any Type Of Liquide Applicaton  
 From

## Nutech Valves

37, Shreeji Industrial Estate, Raypur Mill Compound, Saraspur, Ahmedabad - 24

Ph..( O ) :- 079 - 29292112, 32923375 Fax :- 079 - 22133122

E-Mail :- sales@nutechvalves.com Website :- www.nutechvalves.com

**AN ISO 9001:2000 Certified Co.**